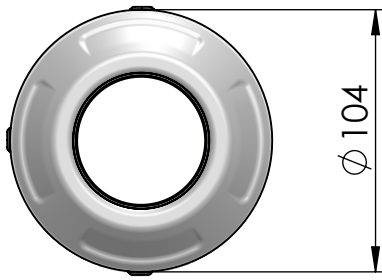


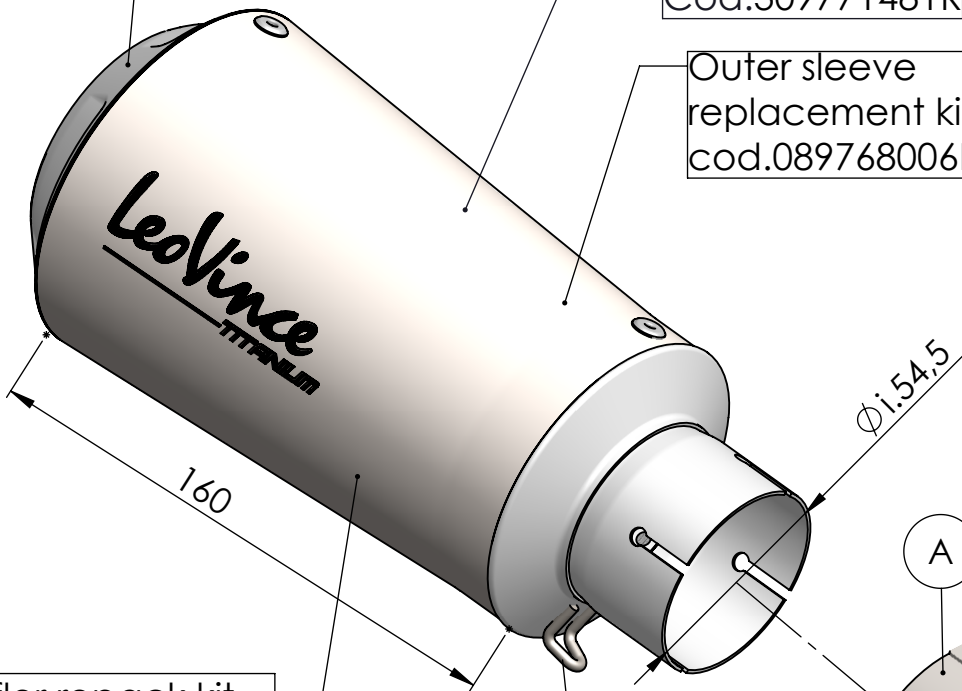
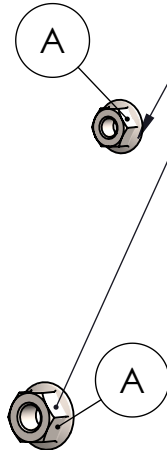
Extra nuts to be used with original bolts that mount the original exhaust hanger bracket. This will allow you to remove the original hanger bracket but re-use the bolts as to not leave empty holes once the bracket is removed.



End cup set
cod.309768701R

Muffler kit
Cod.309771481R

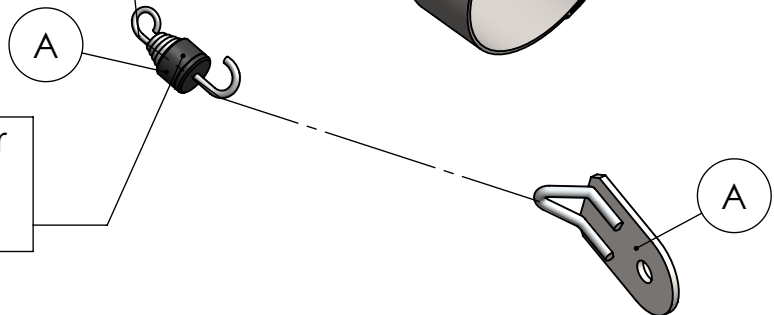
Outer sleeve
replacement kit
cod.089768006R



Manifold clamp
Cod.300057530R

Muffler repack kit
cod.414204R

Spring and rubber
replacement kit
Cod.308574001R



ART. 15203T SPARE PARTS

YAMAHA MT-10/SP

Ⓐ FITTING KIT cod.3015203601R